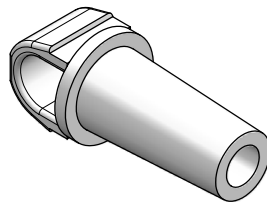
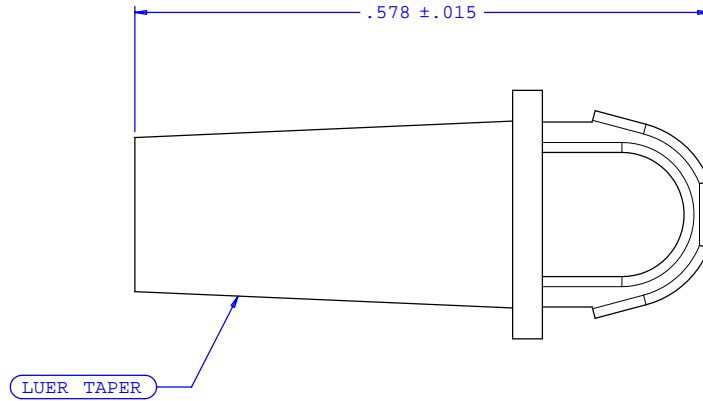
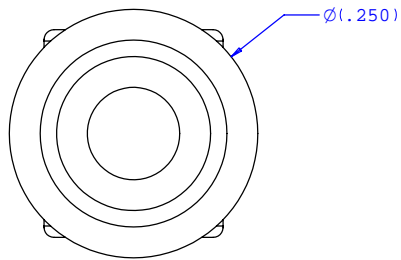


NOTE: FOR MORE DETAILS SEE YOUR V.P. CUSTOMER SERVICE REP.

REVISIONS			
REV.	DESCRIPTION	DATE	APPROVED
A	INITIAL RELEASE	09-26-97	
B	CO 015 Drafting Update	05-16-05	Rick C.



UNLESS OTHERWISE SPECIFIED DIMENSIONS ARE IN INCHES TOLERANCES ARE:		VALUE PLASTICS, INC.	
FRACTIONS ±	DECIMALS .XX ±.01 .XXX ±.005 .XXXX ±.001	ANGULAR ±1°	PART NUMBER: MTLP
DO NOT SCALE DRAWING		DESCRIPTION: Male Luer Plug, Closed at Tether Loop (May be used with separate stationary lock ring; MLLR)	
DRAWN BY: Frank Lombardi	DATE: 04-27-05	SIZE: B	SCALE: NTS
Engineer/Manager: Rick Cairns	DRAWING NUMBER: 1006423	REV. B	SHEET: 1 OF 1
		© 2005 VALUE PLASTICS, INC.	

FOR REFERENCE ONLY